

Company Outline

Date of foundation	: 1955
Capital	: ¥50,000,000
President	: Masahiro Okuno
Payroll	: 70
Headquarters	: 1-2-12 Saiwaicho Naniwa-ku, Osaka 556-0021, Japan
Person in charge	: Hiro Yagi
Address	: 1-2-12 Saiwaicho Naniwa-ku, Osaka 556-0021, Japan
Phone	: +81-6-6567-3113
Fax	: +81-6-6562-0024
E-mail	: cycle@hozan.co.jp
URL	: http://www.hozan.co.jp/cycle_e/



Do you have too many spokes with different lengths? If you use this tool, you only have a couple of representative spoke lengths. And you can make spokes of necessary lengths whenever you need them.

C-701 SPOKE THREADING MASTER

Suitable spokes	: #14(2.0mm ϕ)#15(1.8mm ϕ)
Spoke of minimum length	: 75mm
Input voltage	: AC100-240V
Plug type	: type-A
Option plug	: C-701-6 (type C)
Replacement head	: C-706
Dimensions	: 304(W) \times 133(D) \times 92(H)mm
Weight	: 2.2kg *excluding AC adapter.



C-706 REPLACEMENT HEAD

For C-700/C-701/C-915



C-217 WIRE CUTTER

Up to	: Stranded steel cable (5.0mm ϕ), Stainless spoke (#14)
-------	--



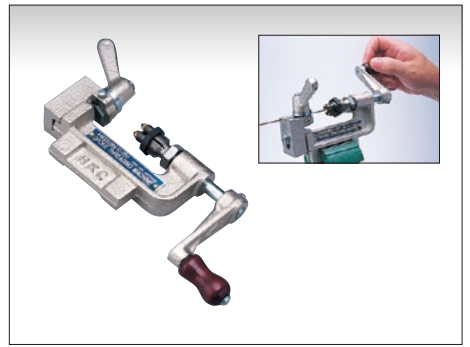
C-330 WHEEL TRUING STAND

Applicable wheel : 14"~28"
 Applicable rim width : Max 50mm
 Option : C-334 ATTACHMENT FOR AXLE HUBS



C-737 SPOKE TENSION METER

Suitable spokes : #13/14/15(Plain type)



C-700 SPOKE THREAD CHASER

Suitable spokes : #14 (2.0mm ϕ) #15 (1.8mm ϕ)
 Replacement head : C-706



C-370 CHAIN TOOL

10 speed compatible
 Replacement : C-370-1 PIN ASSEMBLY



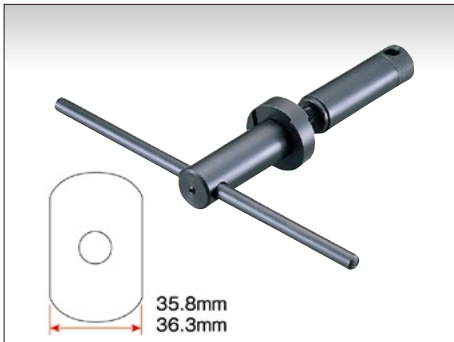
C-200 PEDAL WRENCH

15x15mm
 O.A.L : 310mm



C-205 LOCKING WRENCH

O.A.L : 265mm



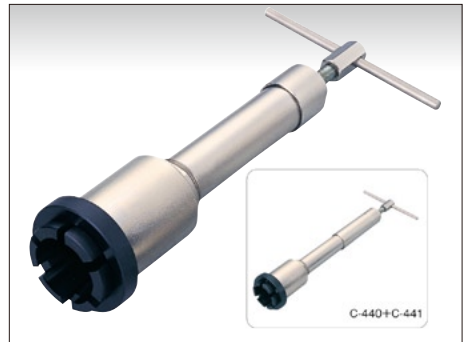
C-358 BB FIXED CUP TOOL

Suitable ball cups : 35.8/36.3mm



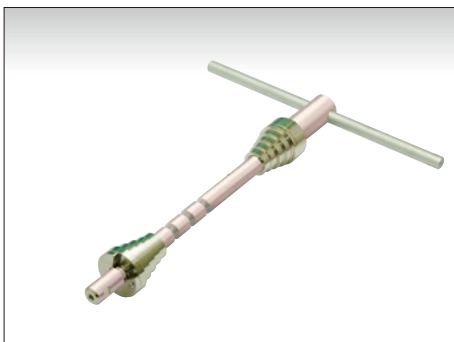
C-356 INNER WIRE PLIERS

O.A.L : 170mm



C-440 BALL RACE REMOVER

Applicable size : 1", 1-1/8"
 Option : C-441 EXTENSION TUBE



C-448 HEAD CUP PRESS

Applicable size : 1", 1-1/8", 1-1/4", 1.5"
 Option : C-449 EXTENSION
 Option : C-448-4 ADAPTER SET



C-62 SPROCKET REMOVER

O.A.L : 360mm



C-504 HUB CONE WRENCH SET

Size : 13/14/15/17mm